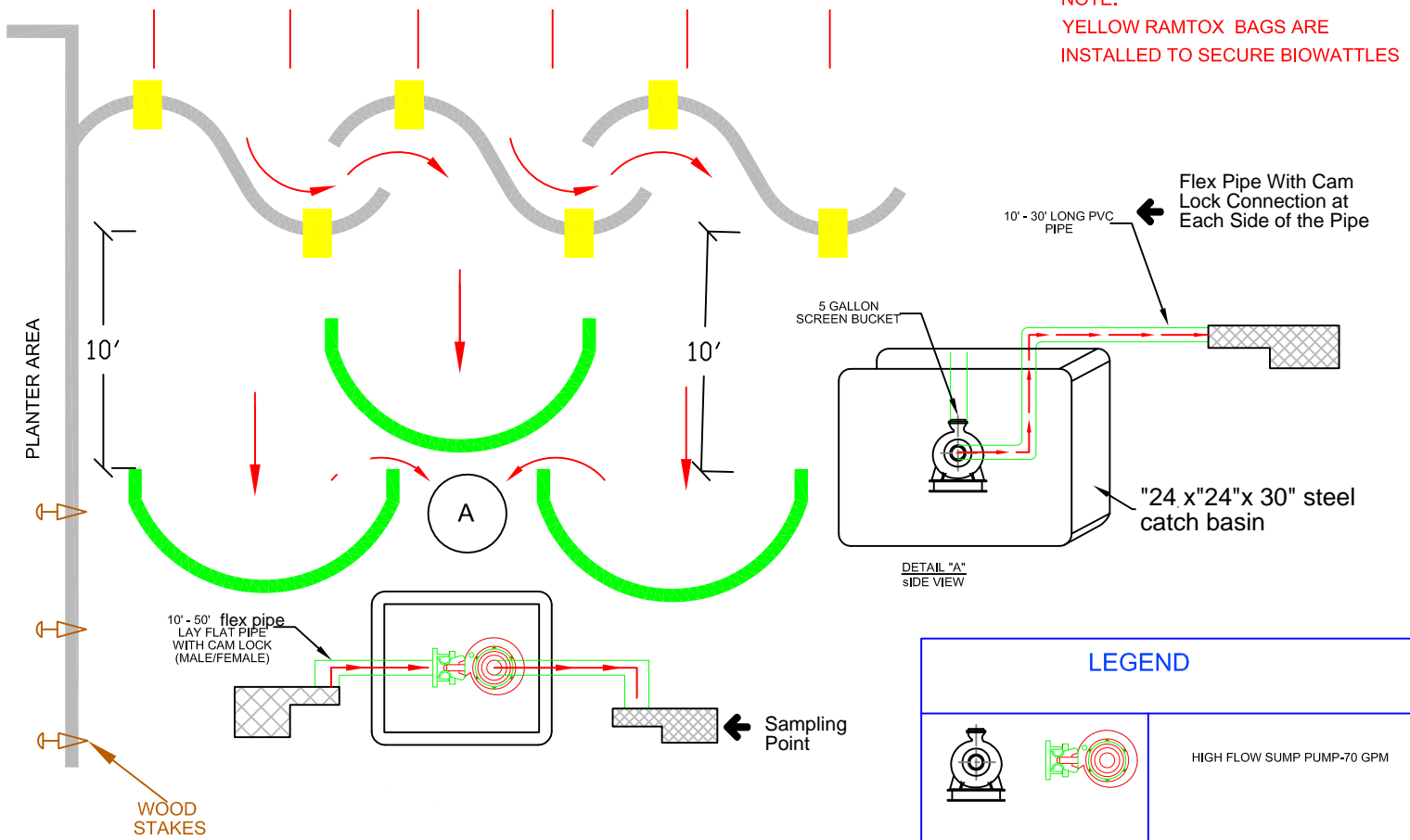


TYPICAL SEDIMENT CONTROL FILTRATION INSTALLATION

Metal Absorption Using High Flow Pump & One
Micron Filter Sock by Pure Filter



NOTE:
YELLOW RAMTOX BAGS ARE
INSTALLED TO SECURE BIOWATTLES

LEGEND	
	HIGH FLOW SUMP PUMP-70 GPM
	"24 x"24"x 30" steel catch basin
	16"x8" ONE MICRON FILTER SOCK
	16"x8" ONE MICRON CARBON ACTIVATED FILTER SOCK

- NOTE:**
1. PRIOR TO INSTALLATION CLEAN THE ENTIRE LOT UP TO 40' RADIUS, MAKE SURE ENTIRE AREA IS FREE FROM DIRT, SAND, SOIL AND SEDIMENT. IN FRONT OF STORM DRAIN OR RUN OFF NEXT TO PLANTER AREA, INSTALL BIOWATTLE AND SECURE THEM WITH WOOD STAKES
 2. UPON INSTALLATION OF GREEN FILTERS (SILTSOXX) CLEAN AND VACUUM THE BROWN POWDER THAT RELEASE FROM GREEN FILTERS
 2. INSTALL GRAY BIO WATTLES (FIBER ROLLS) AS SHOWN IN SNAKE STYLE
 3. INSTALL GREEN SILTSOXX FILTER AS MOON STYLES AS SHOWN
 4. INSTALL RAMTOX SAMPLING BAG AS SHOWING DETAIL "A"

	ENVIRO SILTSOXX FILTER (FROM FILTREXX)-10' LONG		DRAINAGE FLOW DIRECTION		TRIANGLE SAMPLING POINT
	DOUBLE RAMTOX SAMPLING BAG (YELLOW BAG) CONTAINS 3/4 WASHED GRAVEL		BIOWATTLE (FIBER ROLL) 8X25' LONG		YELLOW DOUBLE WALL RAMTOX SAMPLING BAGS WITH BLACK FILTER CLOTH